

## GENERAL SPECIFICATIONS

• L.O.A*:	15,73 m	51'7"
• Hull length:	14,09 m	46'3"
• Overall width:	4,37 m	14'4"
• Beam:	4,27 m	14'0"
• Light displacement (EC):	14 990 kg	33,038 lbs
• Air draught:	4,70 m	15'5"
• Draught:	0,85 m - 1,10 m	2'9" - 3'7"
• Fuel capacity:	2 x 650 l	2 x 172 US Gal
• Freshwater capacity:	2 x 320 l	2 x 85 US Gal
• Maximum engine power:	2 x 320 Kw - 2 x 435 HP	2 x 435 HP
• Max engine certification:	2 x 320 Kw - 2 x 435 HP	2 x 435 HP

\* (with aft swimming platform)

## ARCHITECT / DESIGNERS

- Naval Architect: Beneteau Power Boats
- Interior design: P. Andreani

## EC CERTIFICATE

- Category B - 14 persons
- Category C - 16 persons

## STANDARD EQUIPMENT

### CONSTRUCTION

#### HULL

White hull

Composition:

- Sandwich (Polyester resin - Glass fiber - Balsa core)
- Hull counter moulding laminated in monolithic (Polyester resin - Glass fiber)
- 8 opening portholes (fitted with curtains)

#### DECK

Composition:

- Sandwich (Polyester resin - Glass fiber - Balsa core)
- Deck counter moulding laminated in monolithic (Polyester resin - Glass fiber)

### DECK EQUIPMENT

- Polyester radar support
- Navigation lights

#### MOORING LINES - GROUND TACKLE

- Swivel bow fitting with anchor securing system
- 2 000 W Electric windlass (with remote control)
- 2 Forward cleats, 2 central and 4 aft in stainless steel

#### SAFETY ON DECK

- Half open pulpit in stainless steel with guardrail and hand rail
- 2 Stainless steel handrails on access to catwalk steps
- 2 Stainless steel handrails on forward sun deck
- 1 Grab rail behind the cockpit benchseat

#### DECK

- Forward sun deck: 2,30 x 2,00 m / 7'7" x 6'7"
- Forward peak decked in plain solid wood

#### COCKPIT

- Natural solid wood cockpit
- Cockpit unit with sink, grill stand and space for refrigerator (options), storage
- 6 persons saloon (convertible into sunbed with optional table)
- Space for 2 life rafts for 10 persons
- Cockpit shower hose with hot water mixer tap / cold water
- Beaker stands and glove box
- Gate access (Port side)
- Solid wood sun platform
- Stainless steel, detachable bathing ladder, Stowage in the garage housing the tender (Access beneath the benchseat)
- Garage for inflatable 2,85m (9'4") tender and outboard engine, in position

- Electrically-opened, using 2 electric struts
- Starboard access to engine room
- Outside saddleries PVC Diamante Moonlight
- Direct lighting LED

### INTERIOR

- in the choice:
  - Piemont oak laminated floors + Alpi walnut woodwork (standard)
  - Milano oak laminated floors + Alpi Light Oak joinery
- PVC Mondo Beige upholstery

#### WHEELHOUSE

Headroom: 1,97 m / 6'6"

- 3-leaved sliding window door with curtains (mirror tinted)
- Lighting (spotlights and indirect lights)

#### STEERING STATION

- Transparent windscreen, black-lacquered uprights
- Mirror tinted side windows with blinds
- 2 Windscreen wipers with washers
- Demisting system
- Pilot and copilot bench with Bolster function, Anthracite grey PVC upholstery
- Instrument panel painted with silk-finish chestnut paint
- Compass, Revolution counter, Tiller angle indicator
- Engine function indicators on 7" VOLVO digital display
- Interior socket 12 V for mobile phone
- Oddment locker

#### SALOON

Wheelhouse saloon:

- Wooden 6-seater benchseat and table matching the joinery, Electric table pedestal
- Bar with panoramic view
- Storage space in bar unit and under bench seats
- Location for 36" LED television, DVD player and Bose speakers (Options)
- Electrical sun roof
- Ivoire Carpet (standard) or Moka under wheelhouse table
- 220 V socket

#### LOWER SALOON

Headroom: 1,98 m / 6'6"

- 4-seater benchseat and coffee table
- Space for LED screen television (optional)
- Storage cupboards
- Opening hull porthole in saloon
- Ivoire Carpet (standard) or Moka
- 220 V socket

#### OR: 3RD CABIN

- 2 Single berths
- Marine mattress
- Hanging locker + Storage cupboards
- Ivoire Carpet (standard) or Moka

## GALLEY

Headroom: 1,98 m / 6'6"

Kitchen-type layout:

- Optimum storage space
- Stainless steel sink with mixer tap
- Ceramic hob, 2 burners
- White corian type worktop
- 24 l Micro-wave oven
- 270 l Fridge Freezer
- Cutlery storage
- Bin with fitted twin bucket
- Opening hull porthole
- Piemont or Milano oak laminated floors
- White-lacquered (standard) or cream-lacquered units
- 2 220 V Sockets

## VIP CABIN (FORWARD)

Headroom: 1,95 m / 6'5"

- 1 Double berth (2,00 x 1,60 m / 6'7" x 5'3")
- Marine mattress
- 2 Panoramic opening porthole-fitted portlights with blinds
- Closets and cubbyholes
- Ivoire Carpet (standard) or Moka
- Strut-mounted bed
- 2 Drawers beneath bunk for stowage
- 220 V socket
- Spotlight and reading lighting
- Mirror

## VIP HEAD COMPARTMENT

Headroom: 1,98 m / 6'6"

- Vacuflush electric toilet + Shared rigid tank 150 l / 40 US Gal
- Shower separated with 2 swing doors
- Basin with mixer tap
- Mirror and storage space
- Automatic shower water drainage
- 220 V socket

## OWNER CABIN (AFT)

Headroom: 2,15 m - 1,60 m / 7'1" - 5'3"

- Full width cabin
- Double berth (2,00 m x 1,70 m / 6'7" x 5'7")
- Strut-mounted bed
- Marine mattress
- Padded bedstead, Majilite
- Wardrobes, Hanger closets, Storage
- Spotlight and reading lighting
- 220 V socket
- 2 Panoramic opening porthole-fitted portlights with blinds
- Space for LED 32" screen television (optional)
- Meridian couch to port or storage cupboard (optional)
- Mirror
- Ivoire Carpet (standard) or Moka

## OWNER HEAD COMPARTMENT

Headroom: 2,30 m / 7'7"

- Vacuflush electric toilet + Shared rigid tank (150 l / 40 US Gal)
- Shower separated with 3 swing doors
- Basin with mixer tap
- Mirror and storage space
- Automatic shower water drainage
- 220 V socket

## ALL INTERIOR DECOR IS HARMONIOUS THROUGHOUT

- Alpi Walnut joinery matches:
  - Piemont oak laminated floors in the wheelhouse, Galley, Heads version
  - Ivory-coloured fitted carpet under the wheelhouse table, in the lower saloon (2 cabin lay-out) and in the cabins
- Alpi Light Oak joinery matches:
  - Milano oak laminated floors in the wheelhouse, Galley, Heads version
  - Moka-coloured fitted carpet under the wheelhouse table, in the lower saloon (2 cabin lay-out) and in the cabins

## ENGINE

### Propulsion IPS:

- Volvo 2 x D6 IPS 600 - 2 x 435 HP/HP Diesel (2 x 320 Kw) EVC-E
- Fuel filter with decanter
- Sea water filter
- Air intakes on the deck for engine compartment cooling
- Hot air extraction forced by electric ventilators
- Engine room foam soundproofed
- Fire extinguishing system activated from the steering station
- Stainless steel fuel filler
- 2 x 650 L / 172 US Gal Roto moulded fuel tanks

### Steering system:

- Hydraulic steering
- 2 Housings with counter rotative propellers

## ELECTRICITY

- 8 Batteries 12 V (4 Engine batteries 50 Ah + 4 Service batteries 140 Ah)
- 3 Bilge pumps: 2 Electric pumps - 1 Manual pump
- 2 Extinguishers
- Inverter 12 V / 24 V
- Power distributor
- Battery charger 24 V 60 Ah
- Interior sockets 220 V
- 220 V shore power
- Spotlight and reading lighting

## PLUMBING

- 2 x 320 L / 2 x 85 US Gal Roto moulded water tanks
- Stainless steel water filler
- Water pump for pressurising hot/cold water system
- 60 L / 16 US Gal water heater working off engine exchanger and 220 V

## TRIM LEVEL

	DYNAMIC	AMBITION
Launching ramp + Winch	■	■
PVC Diamante Moonlight forward sun mattress + Protective cover	■	■
Chaise-longue type forward sunbed with adjustable back rest	■	■
Cockpit grill cooker Kenyon + Flame guard	■	■
42 L Cockpit refrigerator	■	■
TV LED 36" + Player DVD + Bose speakers in the wheelhouse saloon	■	■
Tactile multifunction screen Raymarine e127 - Chart plotter - Depth sounder - GPS		■
Raymarine VHF coupled to AIS 650 system receiver (Transmitter/Receiver) - interface VOLVO		■
Pilot Raymarine SPX / P70 R + Integrated gyrocompass		■
HD Digital radar 4 Kw		■
6 person table setting, with dedicated stowage		■

## OPTIONS

### OTHER OPTIONS

#### OPTIONS / OUTSIDE

- Integrated hydraulic gangway
- Hydraulic bathing platform
- Solid natural wood cockpit table on electric feet, converts to sunbed
- Speakers BOSE (Cockpit)
- Sunworker, Silver cockpit shading panel
- PVC outside upholstery Woven Beige or Luggage
- Underwater projectors
- Sunworker white exterior windscreen curtains

#### WATER SYSTEM

- Fresh water shore supply

#### ELECTRICITY

- 7 KVA Generator / 50 Hz ONAN (220 V)

#### INTERIOR LAYOUT

- Dishwasher - seating 6 persons
- Washer dryer - 220 V / 50 Hz
- Ice maker
- Television LED 22" + Cabin DVD/MP3 player VIP
- CD player, , MP3, USB , IPOD, in the VIP cabin
- TV LED 32" + Player DVD / MP3 in master cabin (Antenna not included)
- Storage cupboard in the owner's cabin

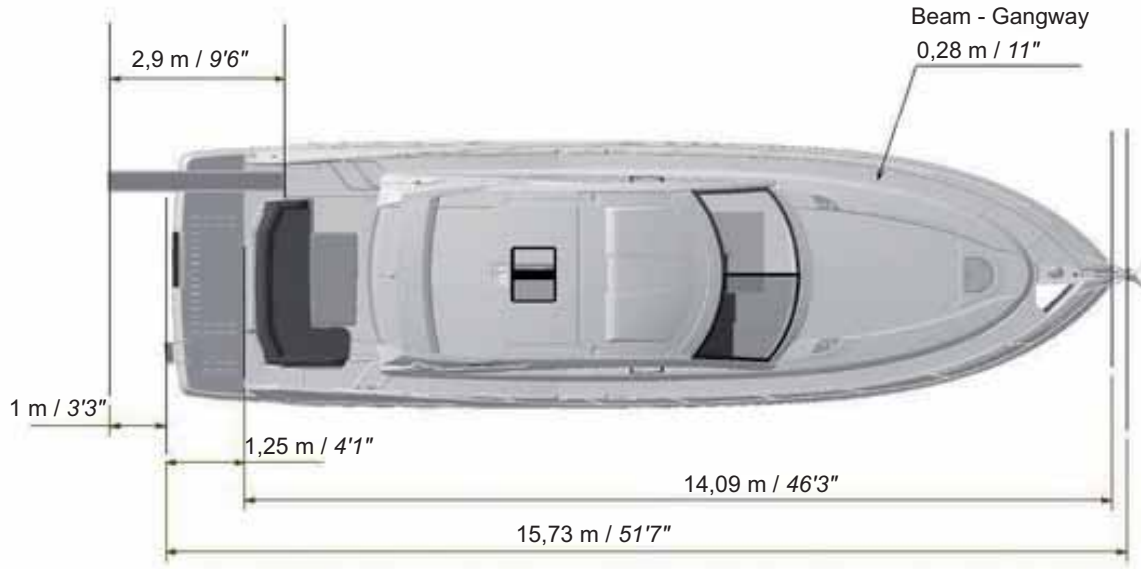
- 220v air conditioning, in the wheelhouse 16 000 BTU (under pilot bench) ; chilled water in the aft cabin (9 000 BTU) - Forward cabin (9 000 BTU) - 3rd cabin or Lower saloon (9 000 BTU)
- Forced air heating fuel (in the wheelhouse, Cabins, Lower saloon)
- Cordone Lagoon Saloon upholstery
- Mondo Moka Saloon upholstery
- Accent Grey Saloon upholstery
- Ultraleather Saloon upholstery
- Leather Saloon upholstery
- Ivoire Carpet in wheelhouse
- Moka carpet in wheelhouse
- Moka carpet in cabins (replacing Ivoire (Ivory) carpet)
- Cream-lacquered furniture (replacing white lacquer)

#### MISCELLANEOUS ITEMS

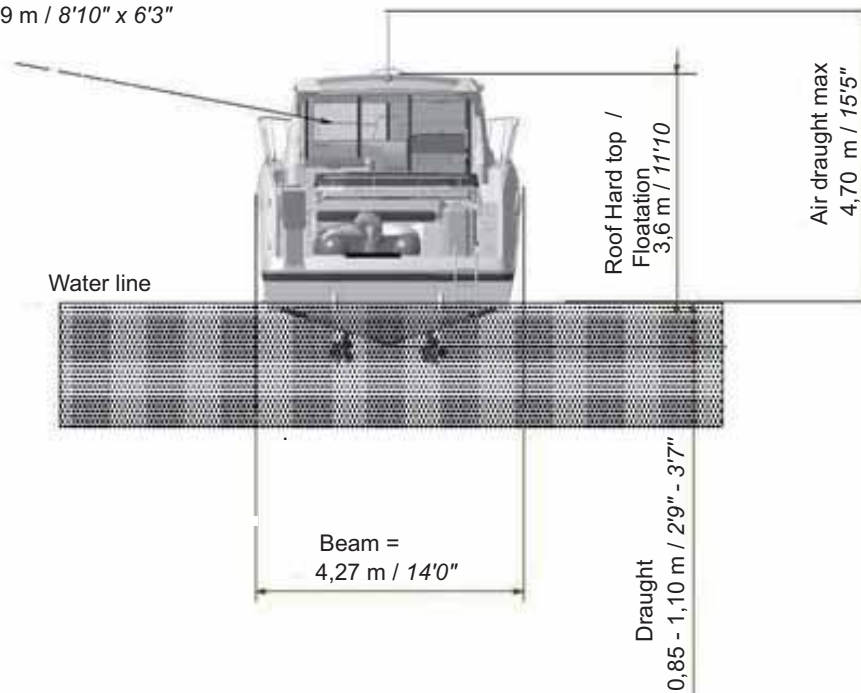
- Complete mooring kit
- Bow thruster
- Additional Joystick in the cockpit
- Burgundy and white hull
- Grey blue and white hull
- VOLVO virtual anchoring (DPS) + Low Speed
- Additional Raymarine e125 display in wheelhouse



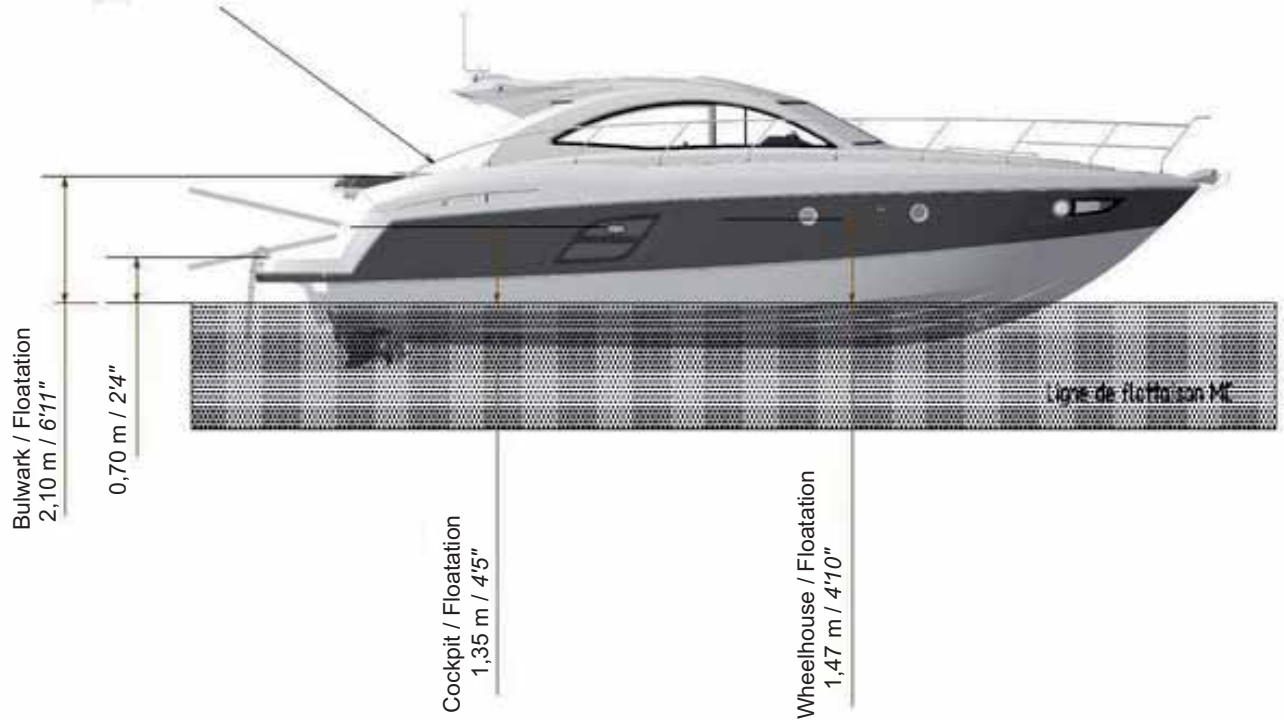
America/Export: Please note that electric power and appliances may be different and/ or not offered on standard or on option. They would be adapted locally by your dealer.



Dimension - Picture window  
2,7 x 1,9 m / 8'10" x 6'3"



Dimension Cockpit  
3,23 x 3,14 m / 10'7" x 10'4"



Some rough indicative surfaces :

Saloon + Wheelhouse = 9,30 m<sup>2</sup> / 100 sq ft  
 Lower galley + Saloon = 12,60 m<sup>2</sup> / 135 sq ft  
 Owner cabin = 12,00 m<sup>2</sup> / 129 sq ft  
 Forward cabin = 6,50 m<sup>2</sup> / 70 sq ft  
 Cockpit = 10,10 m<sup>2</sup> / 109 sq ft





